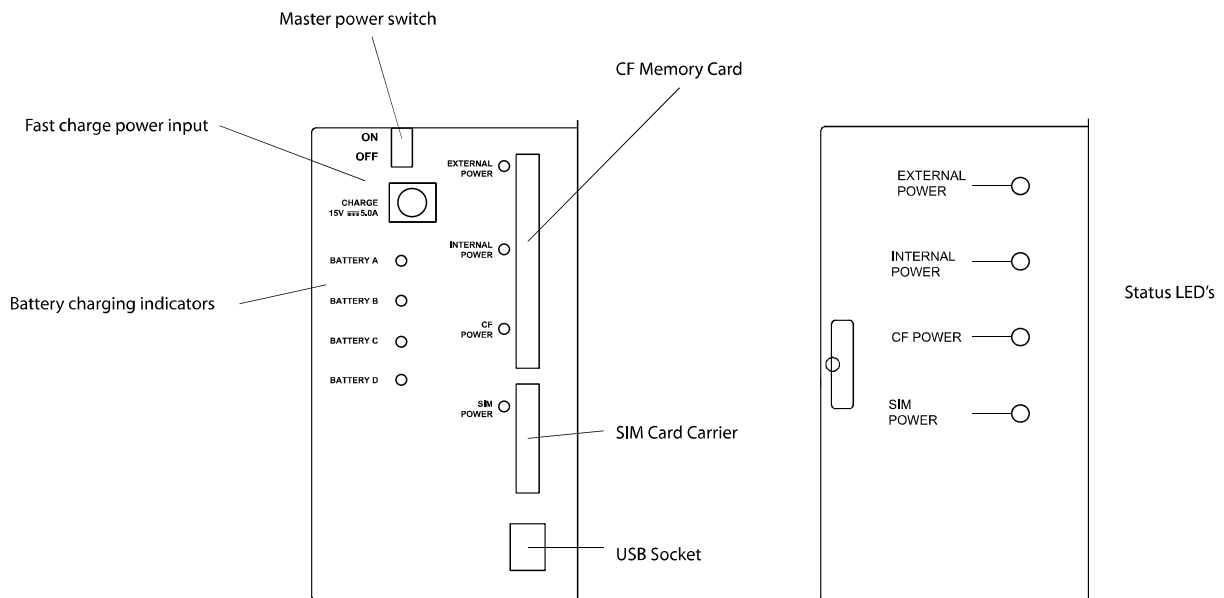


# INVICTUS CF CARD REPLACEMENT INSTRUCTIONS

## TECHNICAL INFORMATION

CIRRUS RESEARCH PLC  
Edition 2 OCTOBER 2016



## Downloading Data from the Invictus Compact Flash Card

---

To download data directly from the memory card of the Invictus Noise Monitor, the card can be removed and inserted into a suitable CF card reader.



**PLEASE NOTE THAT THE MEMORY CARD MUST NOT BE REMOVED WHEN THE INSTRUMENT IS RUNNING OR POWERED.**

To download measurement data from the memory card:

1. Ensure that the Invictus is completely shut down.
  - a. Go to the Settings screen on the Android display.
  - b. Shut down the Invictus via the Shutdown menu option.
  - c. Power off the Invictus using the On/Off power switch under the access flap.
2. Take out the CF card by pushing down on the small button immediately adjacent to the CF Card, which releases the card.
3. If you wish the unit to continue to monitor with a new card, then proceed as follows:
  - a. Insert a new CF Card into the slot
  - b. Take care to ensure that it fits into the card slot runners, and is flush with the metal casing.
  - c. Turn on the Invictus via the power switch, and then by pressing the Power button which is underneath the Android screen.
  - d. When the Invictus has rebooted, follow the instructions on the Android screen to format the new CF card.
  - e. The Invictus will then be ready to monitor again.
4. Take the removed CF card and insert into the CF card slot on your PC, or into a CF card reader.
5. Open Windows Explorer and check that the CF card is seen as a drive by your PC.
6. Start the Noise-Hub software.
7. Connect to the Invictus using Noise-Hub.
  - a. Noise-Hub will think that the CF card is your Invictus instrument and will connect via USB.
  - b. You can then download data from your Invictus CF card as if it was within the instrument itself.
8. Once the download has completed, disconnect from the instrument (CF card) within Noise-Hub and then remove the CF card your computer.



**DO NOT REMOVE THE MEMORY CARD WITHOUT FIRST DISCONNECTING FROM THE UNIT WITHIN NOISE-HUB**