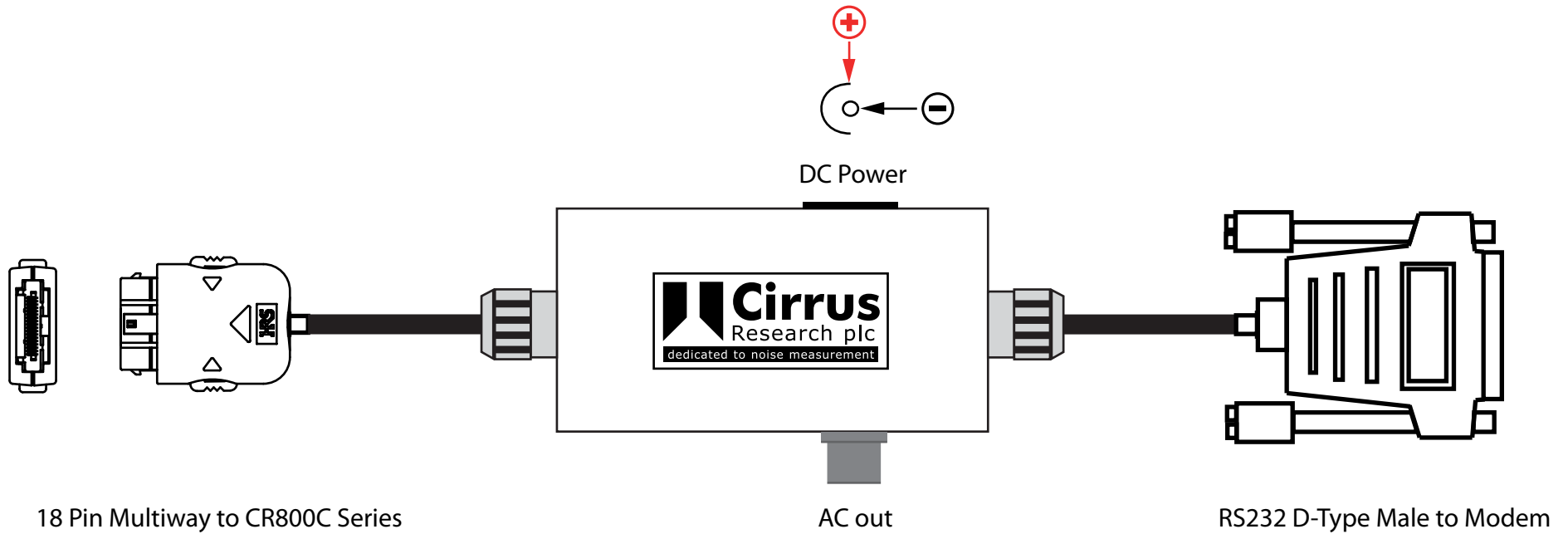


Acoustic House
Bridlington Road
Hunmanby
North Yorkshire
YO14 0PH
United Kingdom

T: 01723 891655
E: sales@cirrusresearch.co.uk
W: www.cirrusresearch.co.uk



ZL:814 Power, AC out and RS232 Cable

Instructions:

- ZL:814 is a DC power in, AC out (phono) and RS232 Modem cable for a CR800C series.
- Plug the multi way connector into your CR800C series.
- Connect measurement equipment to the AC out phono.
- Plug the RS232 D-Type into a Modem.
 - Baud rate: 38400.
 - Flow Control: Xon/Xoff.
- Connect a 15v power supply to the DC socket of ZL:814. Ensure the coaxial plug of the power supply has a 2.5mm inner dimension and polarity is correct.

Electrical Ratings:

Maximum Input: 15 V

Minimum Input: 12 V

Current Requirement:

50mA Running

300mA Surge

Input is protected against reverse polarity.

AC output impedance 600 Ω , short circuit protected.